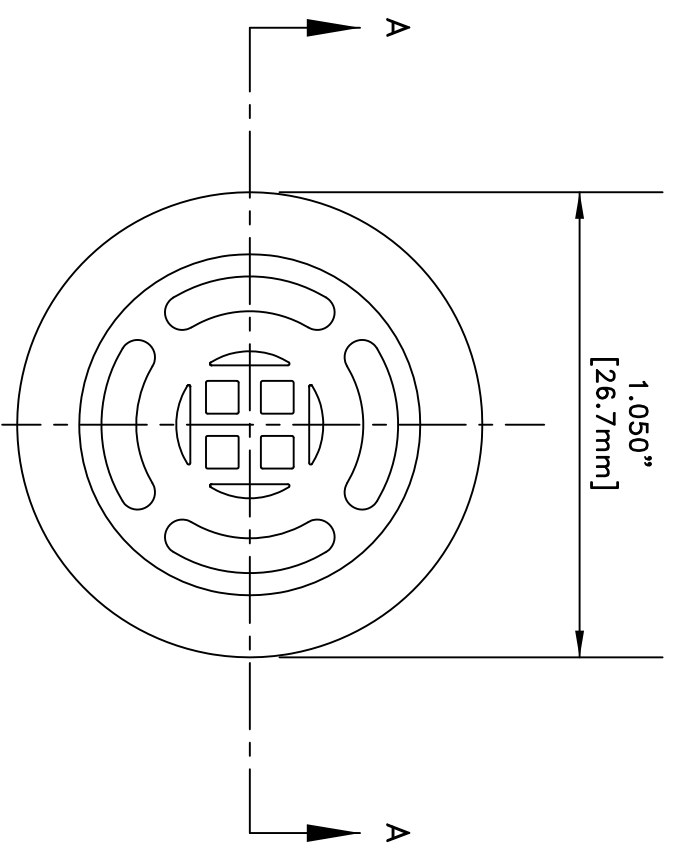
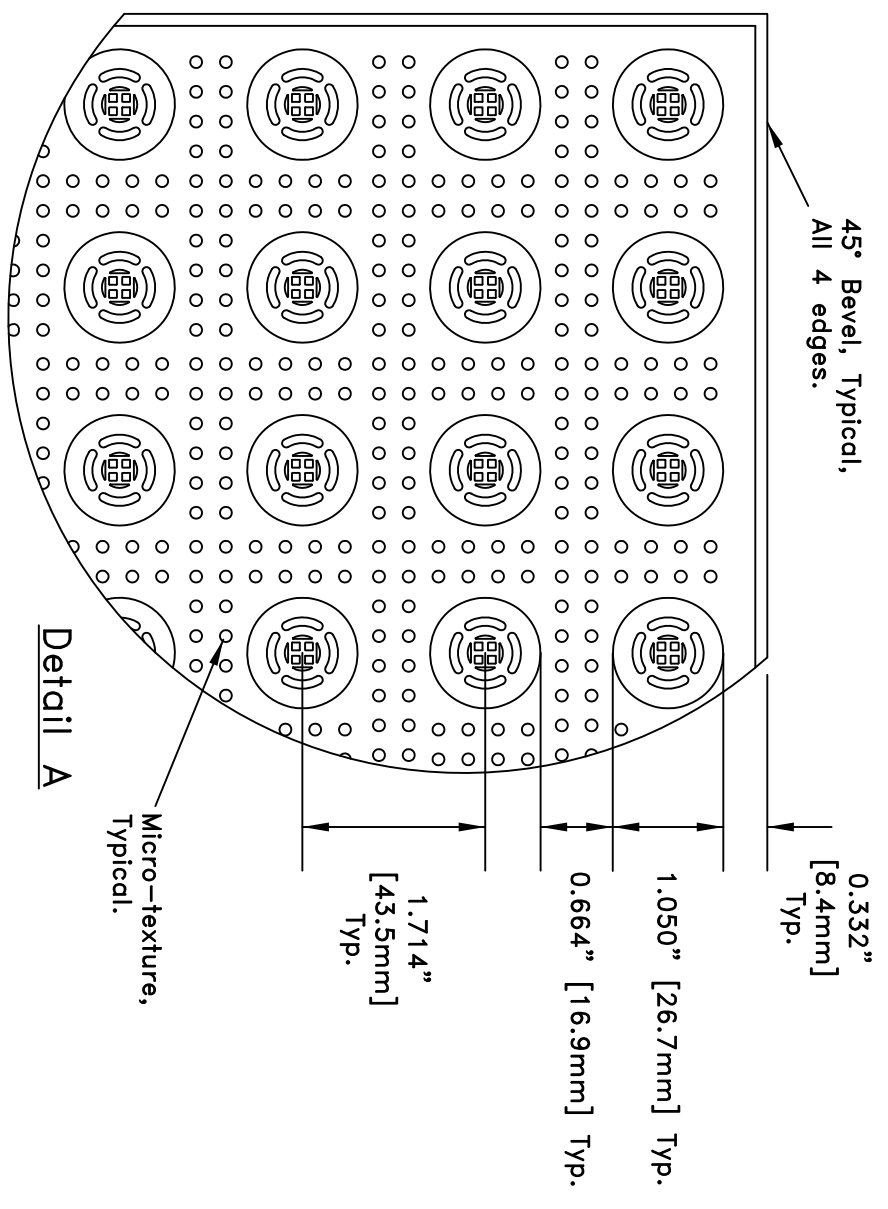
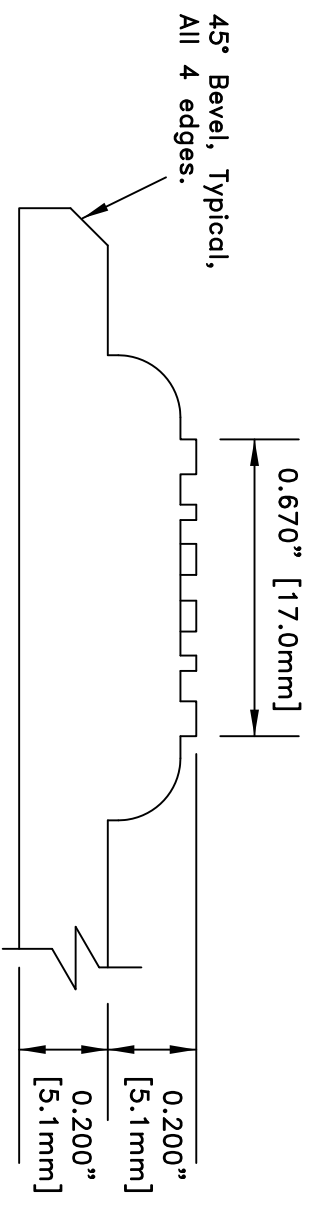


Mat Plan View



Dome Detail
Typical



Section A-A
Typical

TRANSPPO®
INDUSTRIES, INC.
The Smart Solutions Company
www.transppo.com

20 Jones Street
New Rochelle, NY 10801
914-636-1000

Step-Safe
ADA-Compliant Detectable Warning System
2'x4' ADA Mat Details

Scale: Not To Scale
Date: March 2013
Drawing No. CK-ADA-24-1
Sheet: 1 of 1