

Water Filled Barriers



Triton Barrier[®] TL-3
Longitudinal Barrier



TRINITY
HIGHWAY

Ahead of the Curve[™]

Triton Barrier® TL-3

The Triton Barrier® Test Level 3 provides an improved and more permanent method for upgrading existing Test Level 2 Triton Barriers to NCHRP Report 350 Test Level 3 criteria. The Triton Barrier Test Level 3 features a pedestal system that attaches to Triton Barrier with a steel strap. The Triton Barrier Test Level 3 can be considered for 62 mph (100 km/h) applications.

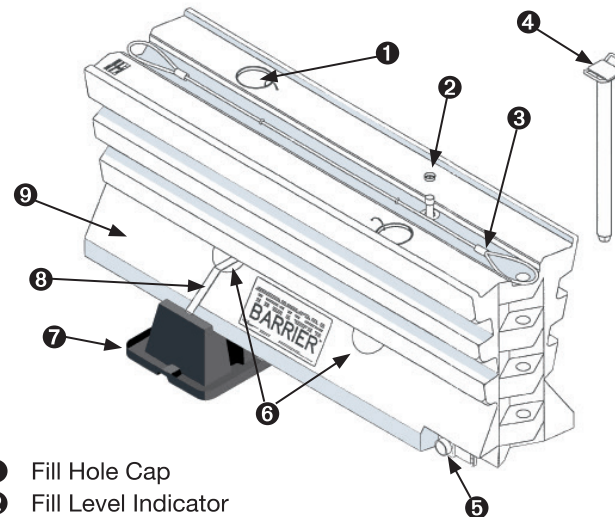
Assembly and Maintenance

- Steel reinforced, polyethylene barrier sections.
- Compliant for water filled longitudinal work zone barriers.
- Last 20 sections of Triton Barrier Test Level 3 serve as its own end treatment.
- Transition hardware available for attachment to guardrail or concrete barrier.

HIGH PERFORMANCE

Features

- Compliant for water filled longitudinal work zone barriers.
- Serves as its own end treatment when attached to last 15 sections of Triton Barrier Test Level 3.
- Transports without the use of heavy equipment.
- Cost effective compared to portable concrete barriers.
- Effective in all weather conditions.



- 1 Fill Hole Cap
- 2 Fill Level Indicator
- 3 Factory Installed Tension Cable
- 4 Connecting Pin
- 5 Gate Valve Drain
- 6 Forklift Ports
- 7 TL-3 Pedestals
- 8 TL-3 Mounting Straps
- 9 2 M (6.5 ft) Steel Reinforced Barrier Section

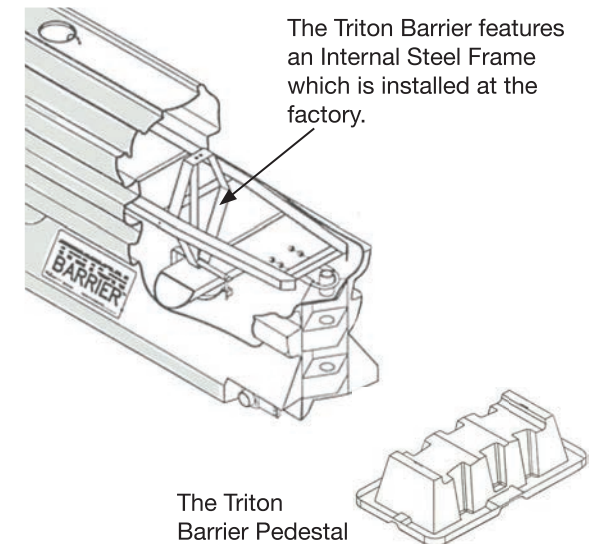
Specifications

Triton Barrier Test Level 2 Section

- 6'6" (2 m) Long
- 21" (533 mm) Wide
- 32" (813 mm) High
- 140 lbs (65 kg) Empty Weight
- 1,350 lbs (610 kg) Water Filled Weight
- 145 gallons (550 liters) Water Ballast

Triton Barrier Test Level 3 Pedestal

- 31" (787 mm) Long
- 16.5" (419 mm) Wide
- 9" (229 mm) High



An original  ENERGY ABSORPTION SYSTEMS, INC. product.

Distributed by: **TRANSPO**
INDUSTRIES, INC.
www.transpo.com

20 Jones Street
New Rochelle, NY 10801
(914)636-1000



Copyright © 2014 Trinity Highway Products, LLC. All Rights Reserved.

5-14
www.trinityhighway.com
1.888.323.6374