

RE: Uniform Bracket Selection for Break-Safe Models B525 and B650

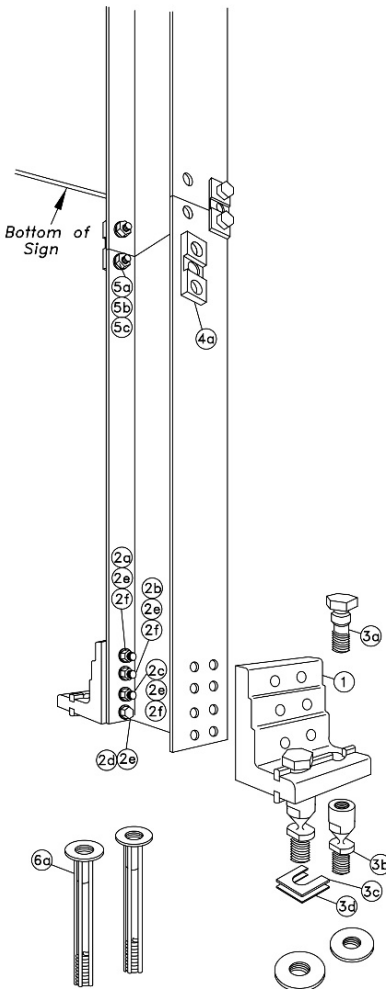
Transpo Industries, Inc. is announcing a change to our Break-Safe Breakaway Sign Support System. The affected assemblies will be our B525 and B650 models. The Break-Safe Type "A" Assemblies are **not** affected by this change.

Currently these models are supplied with three different bracket options, -1, -2 and -3. The bracket number is used in the engineering analysis of the system performance. The differences between the -1, -2 and -3 are minimally significant and do not affect the systems' overall performance.

Effective February 15, 2015, all B525 and B650 assemblies will be available with a single bracket selection. The part numbers for these assemblies will be SBM525 and SBM650, respectively.

We will continue to offer B525 and B650 brackets with -1, -2 and -3 brackets however, they will become a made to order item.

For more information, please contact your Regional Sales Manager or visit us at <http://www.transpo.com/Break-Safe.html>.



PARTS LIST

ITEM	DESCRIPTION	MODEL B525 PART NUMBER	MODEL B650 PART NUMBER
	Complete Assembly. Includes Items 1-5 below.	SBM525*	SBM650*
1	2 Brackets		
2	Bracket Hardware Assembly, Type B525, includes:		
2a	4 Bolts		
2b	4 Bolts		
2c	4 Bolts		
2d	4 Cap Screws		
2e	16 LockWashers		
2f	12 Nuts		
3	Coupling & Special Bolt Assembly, Type B, includes:	SB-CBLP	SB-CBLP
3a	4 Special Bolts		
3b	4 Couplings		
3c	2 14g Shims		
3d	2 18g Shims		
4	Hinge Assembly, Type B525, includes:	SB-HB1	SB-HB2
4a	4 Hinge Plates		
5	Hinge Hardware Assembly, Type B, includes:	SB-HHB	SB-HHB
5a	8 Bolts		
5b	8 LockWashers		
5c	8 Nuts		
6	Anchor Assembly, Type B, includes:	SBABPK	SBABPK
6a	4 Anchors		

*Complete assembly includes Items 1-5. Item 6, Anchors sold separately.

GENERAL NOTES:

1. Break-Safe meets all requirements of "AASHTO Standard Specifications for Structural Supports for Highway Signs, Luminaires and Traffic Signals."
2. Break-Safe Models B525 & B650 are designed to fit Wide Flange I-Beam and Square Tube signposts.
3. Hinge Items 4 & 5 above are not used for single post sign applications.
4. All hardware items are American Standard sizes, gvanized in accordance with ASTM A153 (hot dipped) or ASTM B695 (mechanically applied).
5. Fasteners, except for special bolt and coupling, are installed with lockwashers, and do not have specific torque requirements. Fasteners should be secured as tight as possible with conventional wrenches, unless noted otherwise.
6. Square-up and level individual components, particularly Anchors to minimize the need for shimming between the Couplings and Anchors.
7. No more than two shims shall be placed under any one coupling. No more than three shims underneath any pair of couplings.



TRANSPO® 20 Jones Street
INDUSTRIES, INC. New Rochelle, NY 10801
914-636-1000
The Smart Solutions Company www.transpo.com

*Break-Safe Models B525 & B650
Breakaway Support System for Sign Posts*

*W-Shape I-Beam Posts and
Multiple Post Sign Application with Hinges shown*

Scale: Not To Scale Date: January 2015

Drawing No. BS-B525-B650 Sheet: 1 of 1

Patent Nos. 4,528,786 and 5,596,845

