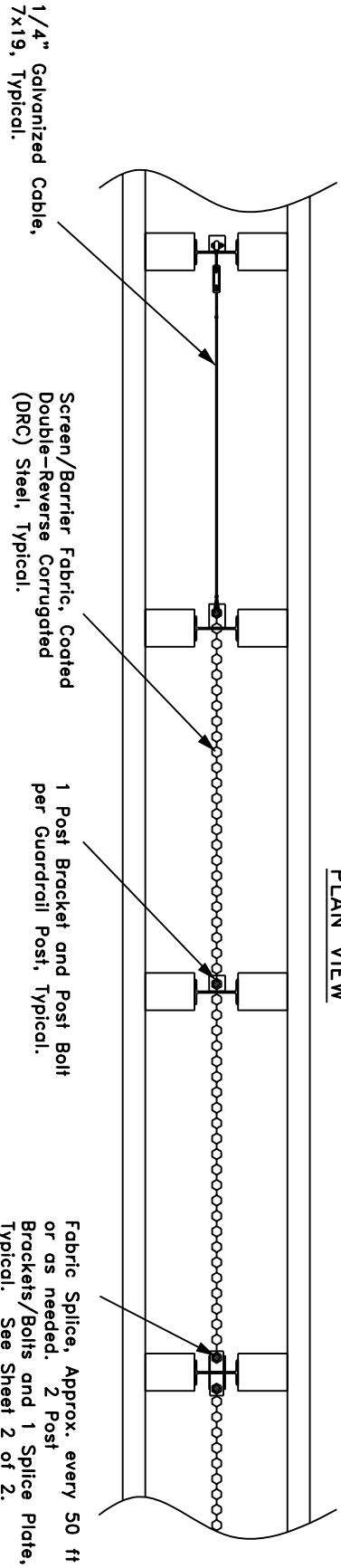
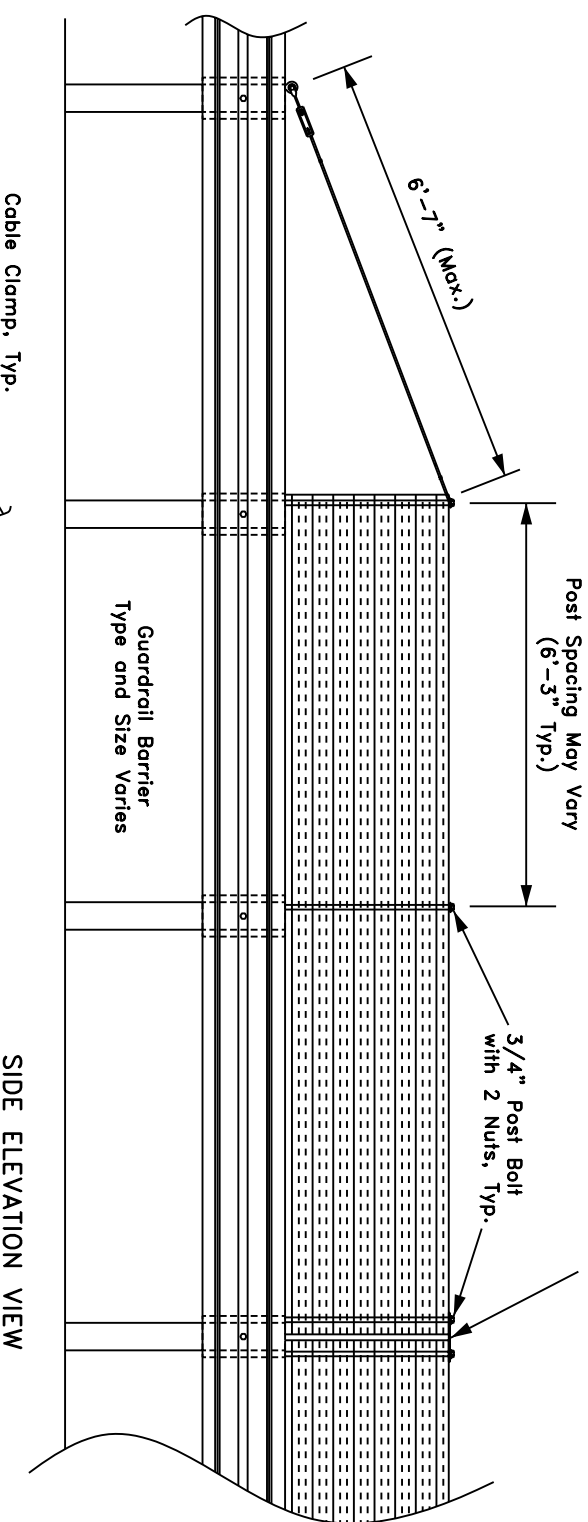
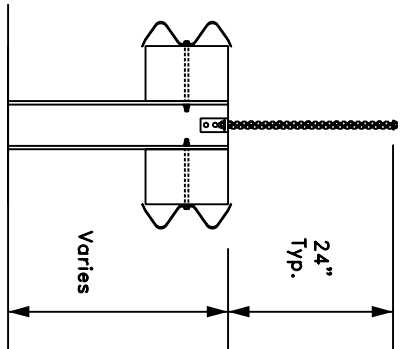


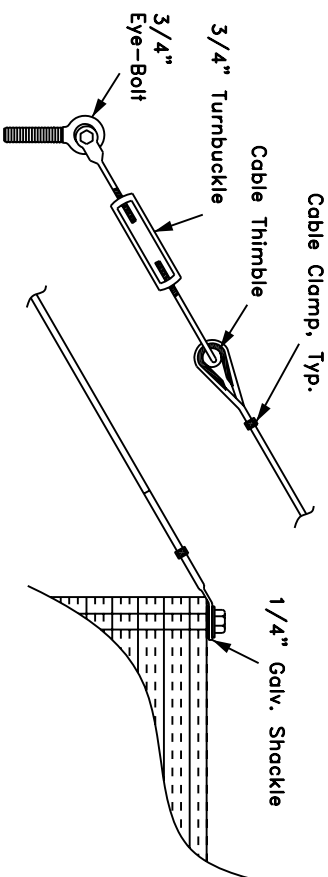
**PLAN VIEW**



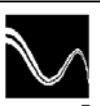
**SECTION VIEW**



**SIDE ELEVATION VIEW**



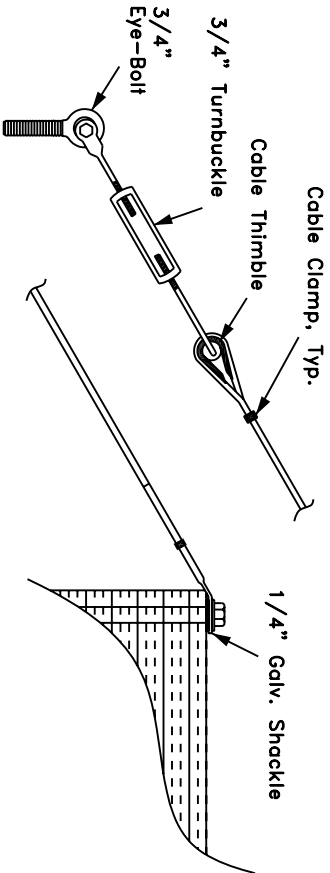
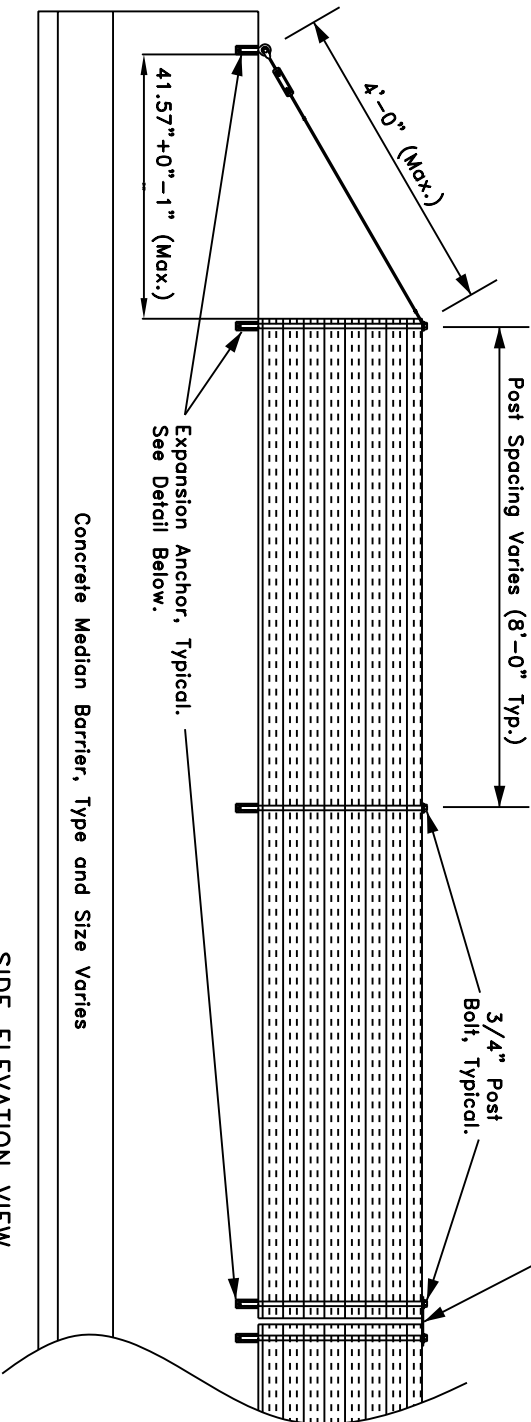
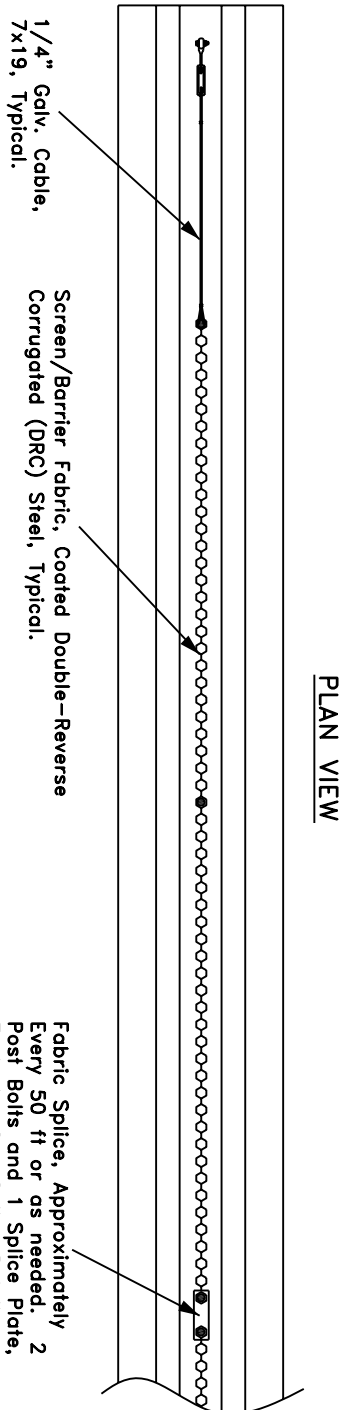
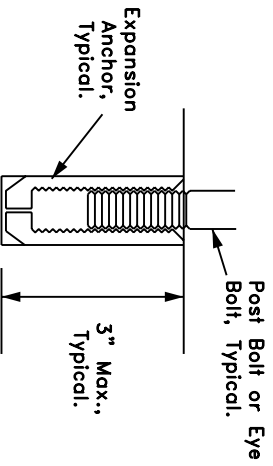
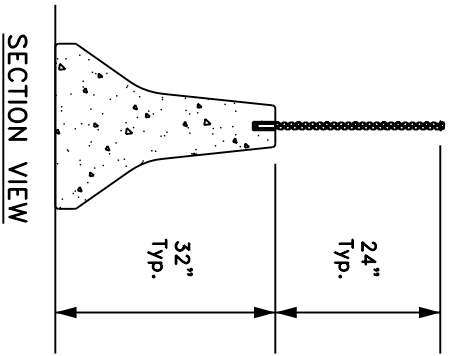
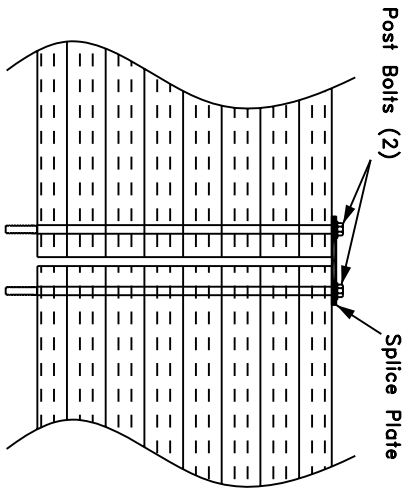
**Cable Anchor Details**




**TRANSPPO**® 20 Jones Street  
 New Rochelle, NY 10801  
 INDUSTRIES, INC. 914-636-1000  
 The Smart Solutions Company www.transppo.com

**Screen-Safe**  
 Glare Screen & Work-Zone Safety Shield  
 Steel Post Guardrail—Mount Details

Scale: Not To Scale Date: July 2003  
 Drawing No. SS-SPGMD-1A Sheet: 1 of 2



 <p><b>TRANSPPO</b>® 20 Jones Street New Rochelle, NY 10801 INDUSTRIES, INC. 914-636-1000 The Smart Solutions Company www.transpo.com</p>		
<p align="center"><b>Screen-Safe Glare Screen &amp; Work-Zone Safety Shield Concrete Barrier-Mount Details</b></p>		
Scale: Not To Scale	Date: July 2003	
Drawing No. SS-BMD-1A (Rev.1)	Sheet: 1 of 1	