

Protecting Water Resources with Cutting-Edge Filtering Technology



The Modular Stormwater Catch Basin Filter System (EnviroSafe[™]) is designed to capture and retain the many pollutants associated with stormwater run-off.

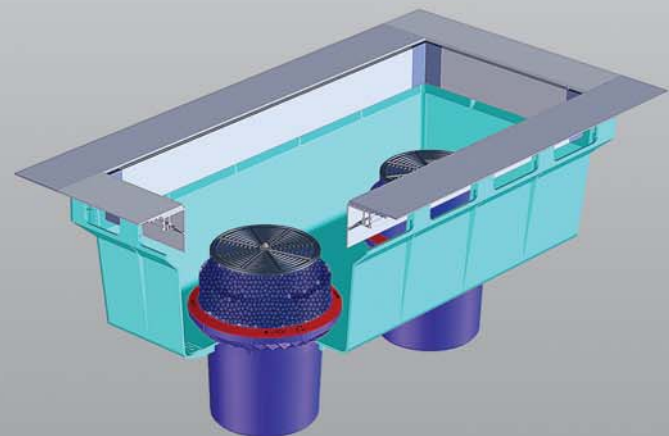
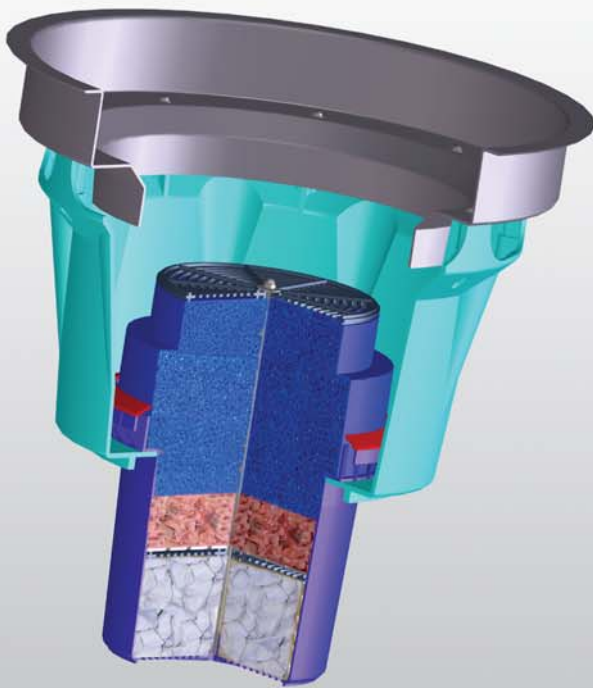
Catch Basins are often the first stop in an urban environment for the water flowing in from a paved surface. Surface water from parking garages, shopping centers, and roadsides are recognized sources of pollution. The catch basin is the entry point for run-off containing debris, sediment, oils, chemicals and heavy metals.

The EnviroSafe[™] Modular Stormwater Catch Basin Filter System can be retrofitted to fit flat-grated and combination curb-grated catch basins. After many years of development (using FABCO[®] technology), the EnviroSafe[™] system sets a new standard for capacity, efficiency, serviceability and low operating costs.

The debris basin provides ample storage for sediment (over 7 cubic feet in the 28 x 44" size.) The hooded bypass feature eliminates flooding potential during large storms, while still retaining floatables captured during the event.

Features and Advantages

- Lightweight, low-cost filter pack snaps in and out easily
- Large storage capacity traps sediment and trash
- Pre-filter keeps coarse sediments out, reducing clogs
- Durable plastic co-polymer basin with adjustable metal alloy frame
- Configurable filter pack may be optimized for bacteria, oil/grease, heavy metals, toxic chemicals, sediment and more!
- Less expensive than underground vault and sock systems
- Eight years of development in the industrial wastewater field
- High filtered flow rates
- Optional mosquito barrier available



Applications

EnviroSafe™ basins are available in two configurations, rectangular and circular. The basin will accept a range of filter cartridges, which may be configured to accept a variety of pollutant loads.

EnviroSafe™ filter cartridges are highly innovative in the way that they filter pollutants:

■ Coarse Open Cell Foam

Pre-filter restricts the flow of sediment and debris. Treated with antimicrobial shield technology for counteracting pathogens.

■ Oil Absorbing Pads

Manufactured from a patented, lightweight, recycled polymeric absorbent material. Collects up to ten times its own weight in oil, grease and chemicals.

■ MYCELX™

Media bonds with pollutants, removing up to 99% in a single pass. Captures hydrocarbons like oil, solvents, PCBs, pesticides, biocides & metals.

■ Fablite II

Compound of naturally occurring minerals which remove heavy metals like cadmium, zinc, chromium, lead, copper and nickel.

■ Cartridge Casing

Sealed to retain pollutants for safe handling and transport.

Flow Rate Performance

Grate Size	Number of Filters	Trash Capacity (cubic ft)	Filter Flow (gpm)	Bypass (gpm)
48-52"L x 31-36"W	2	7.0	230	2110
39-43"L x 25-30"W	2	4.0	230	1885
36-38"L x 25-30"W	1	3.6	115	1571
27-31"L x 21-24"W	1	2.0	115	1167
24-26" Square	1	1.5	115	920
24-26" Dia.Round	1	1.5	115	920

Special configurations available upon request*

