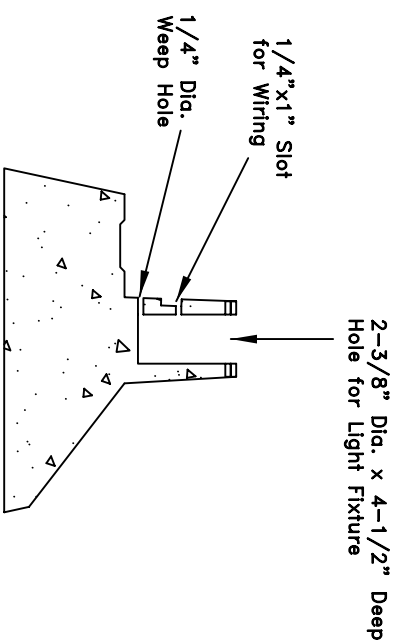
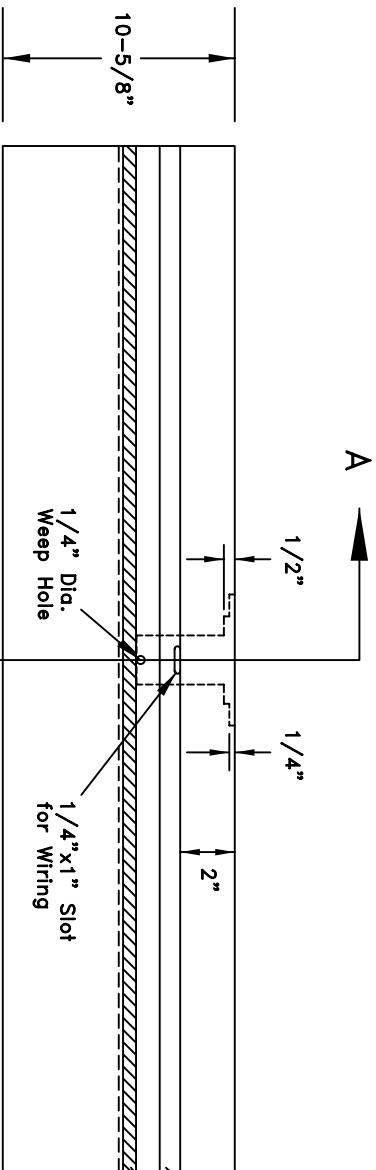


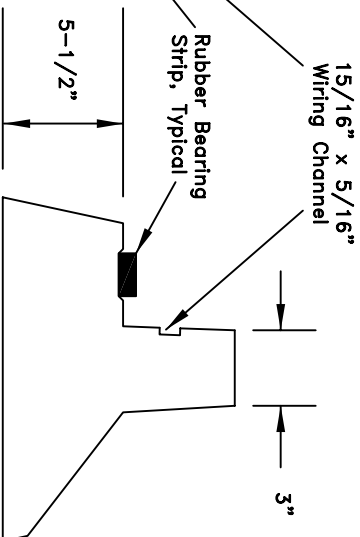
PLAN VIEW



SECTION A-A



SIDE ELEVATION VIEW



END VIEW

- MATERIALS:**
- Polymer Concrete
  - Steel Reinforcement
  - Rubber Bearing Strip

**TRANSPPO**  
INDUSTRIES, Inc.  
The Smart Solutions Company  
www.transppo.com

**BODAN Level Crossing System**  
Edge Beam with Warning Light  
Component Details

Scale: Not To Scale	Date: April 2006
Drawing No. BD-EBL-502	Sheet: 502